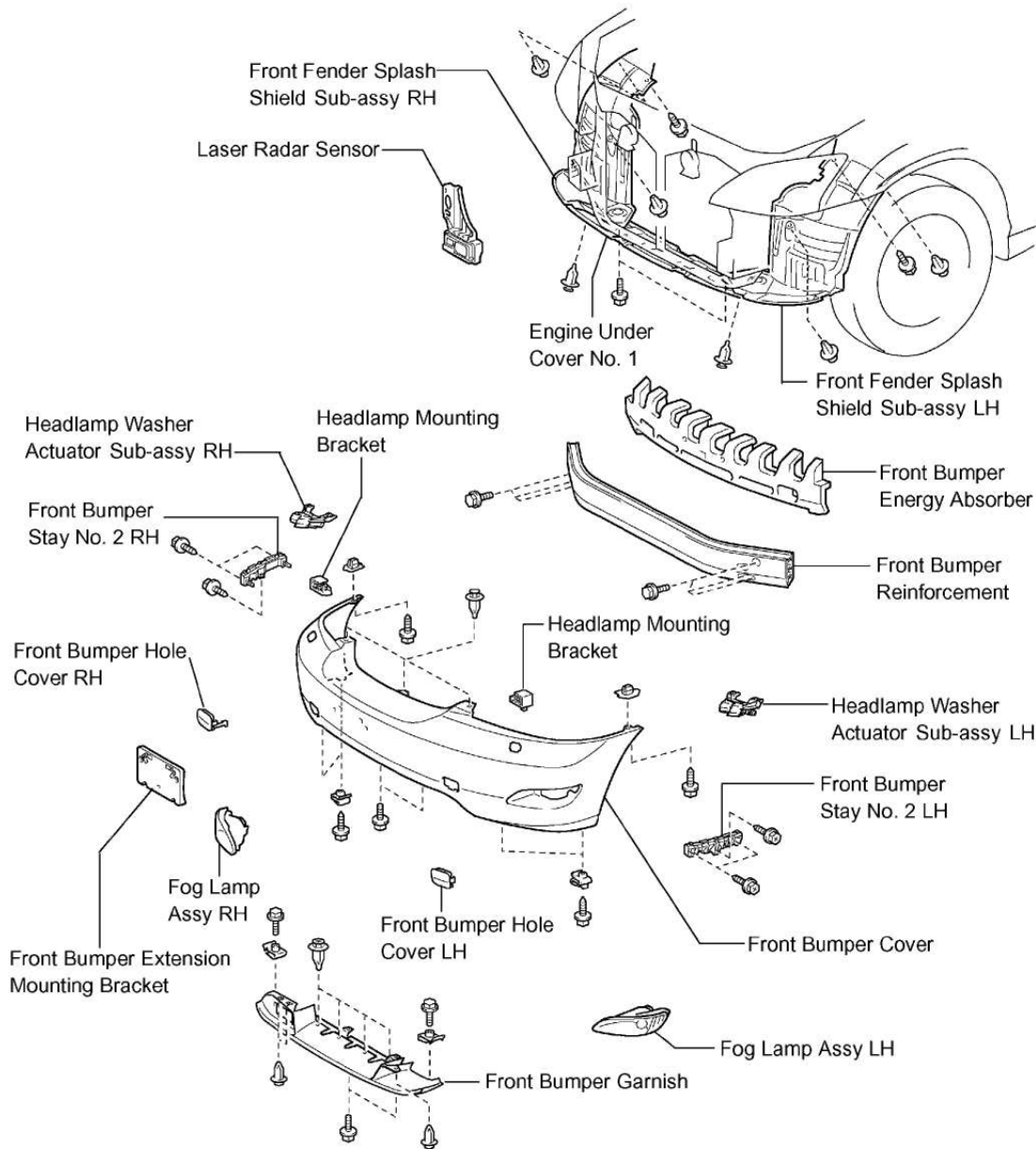


FRONT BUMPER

COMPONENTS



0
G03011264

Fig. 1: Identifying Front Bumper Components And Replacements
Courtesy of TOYOTA MOTOR SALES, U.S.A., INC.

REPLACEMENT**HINT:**

The installation is in the reverse order of the removal. However, when there is a special point concerning the installation, it is indicated.

1. REMOVE ENGINE UNDER COVER NO. 1

- a. Remove the 2 clips and 2 bolts.
- b. Remove the 2 screws and under cover.

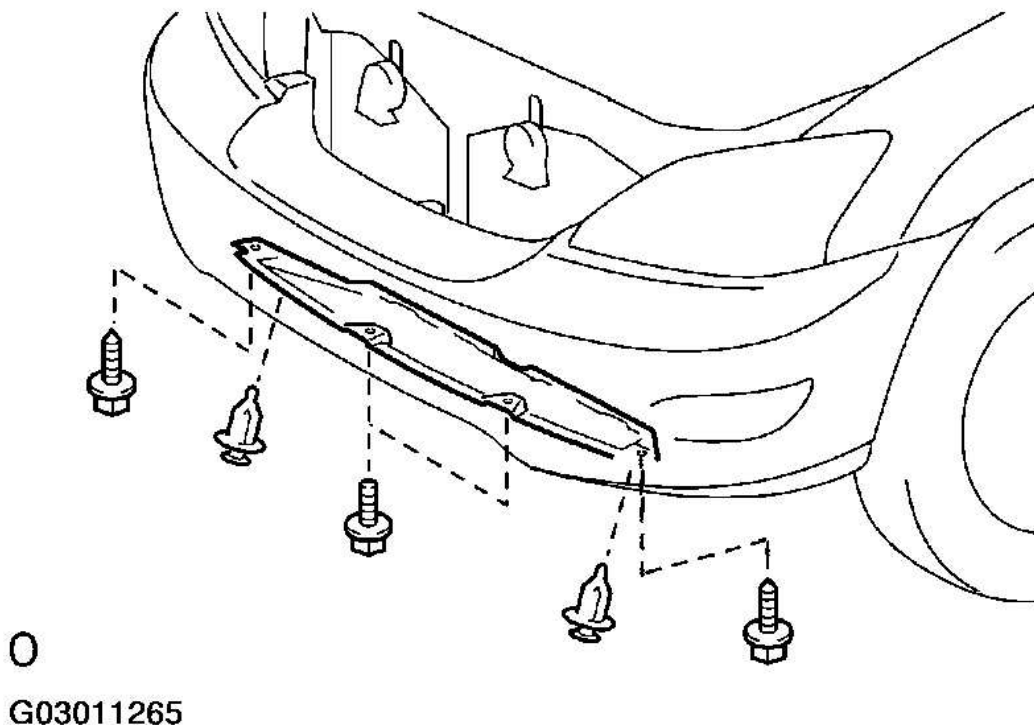


Fig. 2: Removing Engine Under Cover No. 1

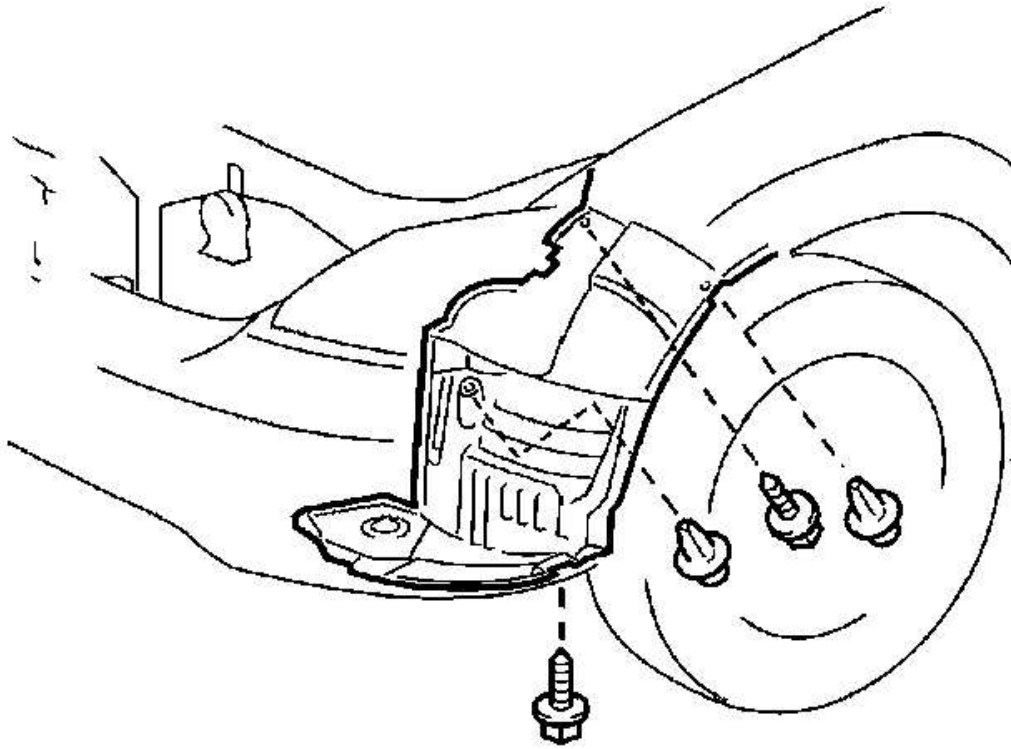
Courtesy of TOYOTA MOTOR SALES, U.S.A., INC.

2. REMOVE FRONT FENDER SPLASH SHIELD SUB-ASSY LH

- a. Remove the 2 screws and 2 clips.
- b. Partially remove the splash shield.

HINT:

Do not remove the splash shield completely but partially so that the bumper cover can be removed.



G03011266

Fig. 3: Removing Front Fender Splash Shield Sub-Assy LH

Courtesy of TOYOTA MOTOR SALES, U.S.A., INC.

3. REMOVE FRONT FENDER SPLASH SHIELD SUB-ASSY RH

HINT:

Use the same procedures described for the LH side.

4. REMOVE FRONT BUMPER COVER

- a. Put protective tape under the front fender.
- b. W/Headlamp washer:
 1. Remove the washer hose clip.
 2. Using a screwdriver, pull out the front washer nozzle.

HINT:

Tape the screwdriver tip before use.

- c. Disconnect the fog lamp connectors.
- d. Remove the 2 screws and 3 clips.
- e. Using a screwdriver, disengage the 4 claws and remove the bumper cover.

HINT:

Tape the screwdriver tip before use.

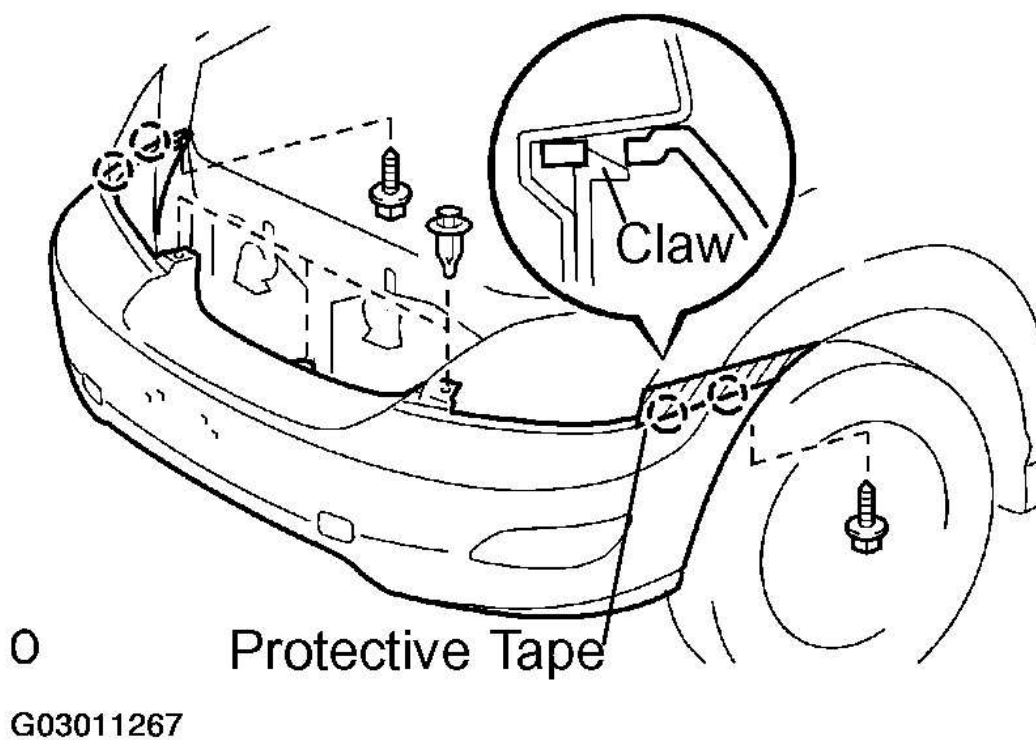


Fig. 4: Removing Front Bumper Cover
Courtesy of TOYOTA MOTOR SALES, U.S.A., INC.